

## SPECIFICATION

	MU-CATHD11T/2-06-ST	MU-CATHD11R/2-06-ST
<b>Input:</b>	1×HDMI	2×RJ45 + 1×3.5mm
<b>Output:</b>	2×RJ45 + 1x 3.5mm	1×HDMI
<b>HDMI Source Control:</b>	Controllable via IR pass-through from RX to TX	
<b>IR Remote Control:</b>	Electro-optical characteristics: $\tau = 25^\circ$ /	
<b>Carrier frequency:</b>	20~60kHz	
<b>HDMI Connector:</b>	Type A (19-pin female)	
<b>RJ45 Connector:</b>	WE/SS 8P8C	
<b>3.5MM Connector:</b>	3.5mm jack for IR emitter	3.5mm jack for IR receiver
<b>ROTARY CONTROL:</b>	None EQ for signal equalization	
<b>HDMI COMPLIANCE:</b>	HDMI Deep Color	
<b>HDCP COMPLIANCE:</b>	Yes	
<b>VIDEO BANDWIDTH:</b>	Single-link 225MHz (6.75Gbps)	
<b>VIDEO SUPPORT:</b>	480i / 480p / 720p / 1080i / 1080p60 24/30/36-bit color	
<b>AUDIO SUPPORT:</b>	Surround sound (up to 7.1ch) or stereo digital audio	
<b>HDMI over UTP Transmission (24-BIT):</b>	Full HD (1080p)-40m (130ft) [CAT-5] HD (720p/1080i)-50m (165ft) [CAT-5]	
<b>HDMI Equalization:</b>	N/A 8-level digital rotary control	
<b>Input TMDs Signal:</b>	1.2 Volts (peak-to-peak)	
<b>Input DDC Signal:</b>	5 Volts (peak-to-peak, TTL)	
<b>ESD Protection:</b>	[1] Human body — $\pm 19$ kV air-gap discharge & $\pm 12$ kV contact discharge [2] Core chipset — $\pm 8$ kV	
<b>PCB Stack-Up:</b>	PCB stack-up 4-layer board (impedance control — differential 100 $\Omega$ ; single 50 $\Omega$ )	
<b>Fixedness:</b>	Wall plate mounting	
<b>Power Supply:</b>	12V 1A DC at either TX or RX	
<b>Power Consumption:</b>	1 Watt (max)	
<b>Operation Temperature:</b>	0~40°C [32~104°F]	
<b>Storage Temperature:</b>	-20~60°C [-4~140°F]	
<b>Relative Humidity:</b>	20~90% RH (no condensation)	
<b>Housing:</b>	Metal enclosure	
<b>Gross Dimensions:</b>	95mm × 190mm × 80mm	
<b>Gross Weight:</b>	620 g	

# HDMI over CAT-5 Wall Plate Extender



Model: **MU-CATHD11T/2-06-ST**  
**(Transmitter)**



Model: **MU-CATHD11R/2-06-ST**  
**(Receiver)**



Caution : Always ensure that the DDC output on the transmitters connected to the DDC input of the receiver before connecting the power supply. In no circumstances should a cable be connected on a DDC port at one end and a TMDS port at the other. Connecting a cable on DDC to TMDS will permanently damage the product.

\* Specifications are subject to changes without notice.

# User Operation Guide

## DESCRIPTION

The **MU-CATHD11T/2-06-ST** & **MU-CATHD11R/2-06-ST** is a pair of HDMI extender built into a single gang wall plate.

It enables extension of HDMI signal & IR over a pair of CAT-5/6 cable over a distance up to 50m.

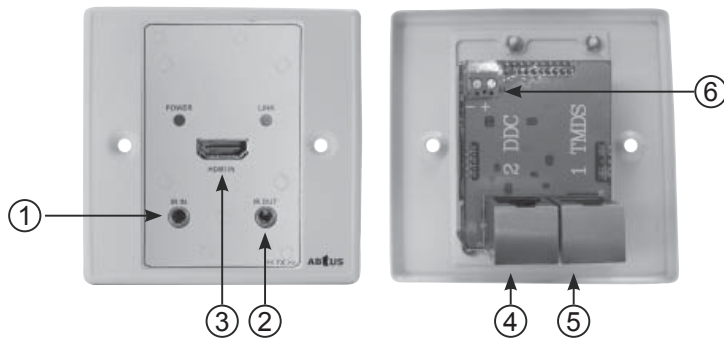
The neat and simple outlook of the extender allows it to be installed any room.

Ideal for small meeting rooms, discussion rooms, hospitality, retail & home installations.

## PRODUCT FEATURES

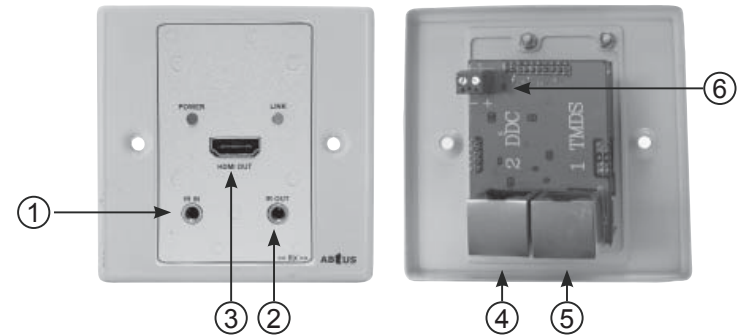
- Support HDMI Deep Color
- HDCP compliant
- Extends HDMI signals up to 50m over CAT5e at 1080p
- Purely unaltered uncompressed 7.1ch digital HDMI transmission
- Embedded IR pass-through from RX to TX to control source device
- Easy installation with wall-plate mounting design

## FRONT/REAR PANEL (MU-CATHD11T/2-06-ST)



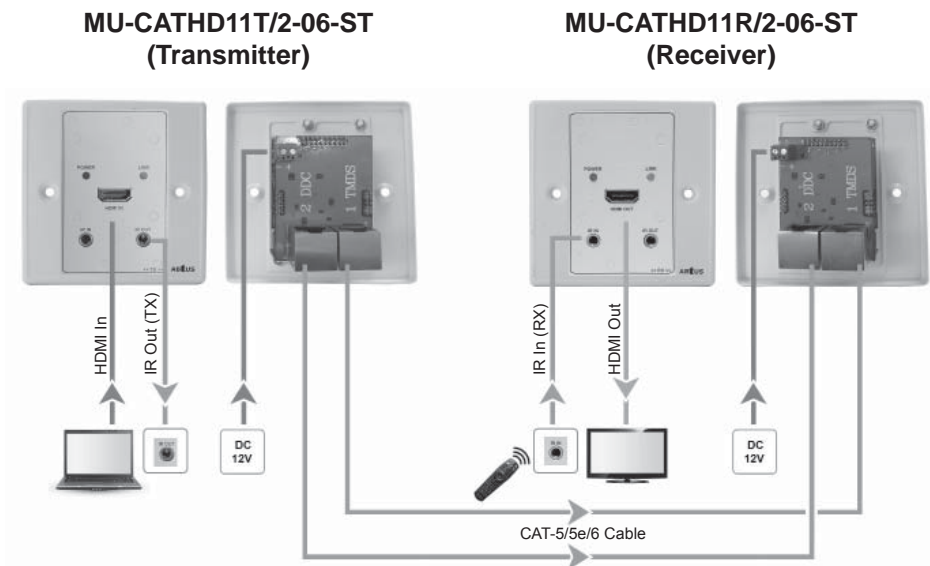
Item	Description
1	IR IN IR passthrough to receiver
2	IR OUT IR passthrough from receiver
3	HDMI IN HDMI input
4	DDC CAT-5/6/7 output to DDC input on receiver
5	TMDS CAT-5/6/7 output to TMDS input on receiver
6	DC 12V Power 12V DC

## FRONT/REAR PANEL (MU-CATHD11R/2-06-ST)



Item	Item	Description
1	IR IN	IR passthrough to receiver
2	IR OUT	IR passthrough from receiver
3	HDMI OUT	HDMI output
4	DDC	CAT-5/6/7 input from DDC output on transmitter
5	TMDS	CAT-5/6/7 input from TMDS output on transmitter
6	DC 12V	Power 12V DC

## DIAGRAM



### Typical Applications

Any integration that requires simple long distance extension without complex installation or affecting the aesthetic design of the room.

- Residential • Schools (Classroom) • Churches • Corporate Applications (Meeting Room, Function Room etc) • Rental • Retail