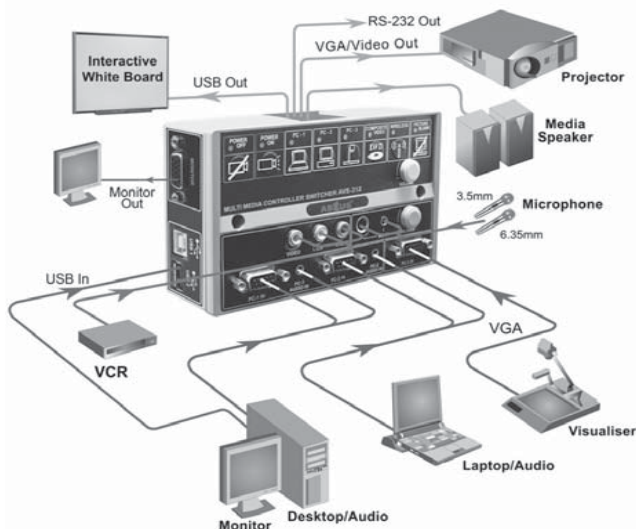


## SPECIFICATIONS

<b>INPUT:</b>	3 x PC input (*D-Sub 15pin) 2 x PC-Audio (*3.5mm) 1 x C-Video (*RCA) 1 x Stereo Audio (*RCA) 1 x USB (Type A by the Side) 1 x USB (Type B by the Side) 1 x Microphone (*3.5mm) 1 x Microphone (*6.3mm)
<b>OUTPUT:</b>	1 x VGA to Projector (*Standard 2.54mm Connector) 1 x VGA to Monitor (*D-Sub 15pin by the Side) 1 x C-Video (*Standard 2.54mm connector) 1 x Main Stereo Audio (*Standard 2.54mm Connector) 2 x USB (*Standard 2.54mm Connector) 1 x Tx (*Standard 2.54mm Connector)
<b>VGA BANDWIDTH:</b>	3-in 2-out VGA Distribution Amplifier (900MHz R+G+B)
<b>MAX RESOLUTION:</b>	1280 x 1024
<b>ALL CABLE LENGTH:</b>	Up to 28 meter
<b>CONFIGURABLE COM PORT:</b>	1 x RS-232 (8 Data Bit and 1 Stop Bit)
<b>BAUD RATE:</b>	1200 to 115200
<b>PARITY BIT:</b>	Non, Even or Odd
<b>DELAY TIME:</b>	Projector "ON/OFF" delay time (*in sec) 1 to 99
<b>CONTROL BUTTON:</b>	Number of user defined "Control Button" x 8 Available protocol for each "Control Button" x 1
<b>LED:</b>	With LED & Buzzer for confirmation
<b>VIDEO SELECTION:</b>	All Video/VGA Input Switching Digital
<b>AUDIO SELECTION:</b>	Audio Input Switching Digital
<b>VOLUME:</b>	Main Volume Control Analog
<b>MIC GAIN:</b>	Microphone Input Gain Control Analog
<b>POWER ADAPTOR:</b>	12V-DC, 500mA
<b>HOUSING:</b>	ABS
<b>DIMENSIONS   WEIGHT:</b>	(149 x 88 x 48)mm   Weight:350g
<b>ACCESSORIES:</b>	AC-DC Power Adaptor 12V-DC, 500mA

\*\* For detail and updated RS-232 Command protocol for programming, please visit and download from [www.abtussingapore.com](http://www.abtussingapore.com)

\* Specifications are subject to changes without notice.



### Typical Applications

Any professional presentation system requiring multiple AV Inputs of all different type of Video standard and a standard projector controller.

- Schools (Media Classroom)
- Churches
- Corporate Applications (Meeting Room)

# Multimedia Controller Switcher

Programmable Integrated Projector Controller Switcher



Model: AVS-312

## PRODUCT DESCRIPTION

The **ABTUS AVS-312** Media Control Panel is one of the most user friendly and installer friendly Pre-Programmable Controller specifically designed for a easy and central control of any AV projection system. It removes the need for over-complicated and multiple remote control handsets.

## PRODUCT HIGHLIGHTS

- Programmable projector protocol
- Simple to used with one to one function controlled button with LED indication
- Works well with any monitors, projectors and Interactive White Board
- Supports 3 VGA input with resolutions from VGA to SXGA
- Easy Installation with standard 2.45mm connector and cabling
- Fully self contained / integrated Projector Controller with AV switcher and USB in
- With 2 USB Input Connections ( 1 x USB Type A and 1 x USB Type B)

## TURNING ON AND BASIC OPERATION CONTROL

**3. PC-1 Button**  
Used to select Projector Input to "PC" Input and its inter VGA switcher and audio switcher to PC-1 (Laptop) accordingly. The LED will blink once and stay ON

**4. PC-2 Button**  
Used to select Projector to "PC" Input and its inter VGA switcher and audio switcher to PC-2 (Desktop) accordingly. The LED will blink once and stay ON

**5. PC-3 Button**  
Used to select Projector Input to "PC" Input and its inter VGA switcher PC-3 (Document Camera) accordingly. The LED will blink once and stay ON

**6. AV Input**  
Used to select Projector Input to "AV" Input and its inter Audio switcher to Video-Audio accordingly. The LED will blink once and stay ON

**7. Wireless Button**  
Used to select Projector to "Wireless/Network" Input and its inter audio switcher to Network accordingly. The LED will blink once and stay ON

**8. Pic Mute Button**  
Used to select Projector to "Pic blank" ON/OFF and its inter audio switcher to mute accordingly. The LED will blink once and stay ON

**9. Main Volume Control**  
Tuning Up and Down of the main Volume level

**10. Mic Gain Control**  
Tuning Up and Down of the Mic Gain level

**11. PC-3 Input**  
VGA Input port for Document camera connection

**12. Mic Input**  
For both 6.3mm and 3.5mm Microphone Input connection

**13. PC-2 Input**  
VGA Input port with PC-Audio for Desktop connection

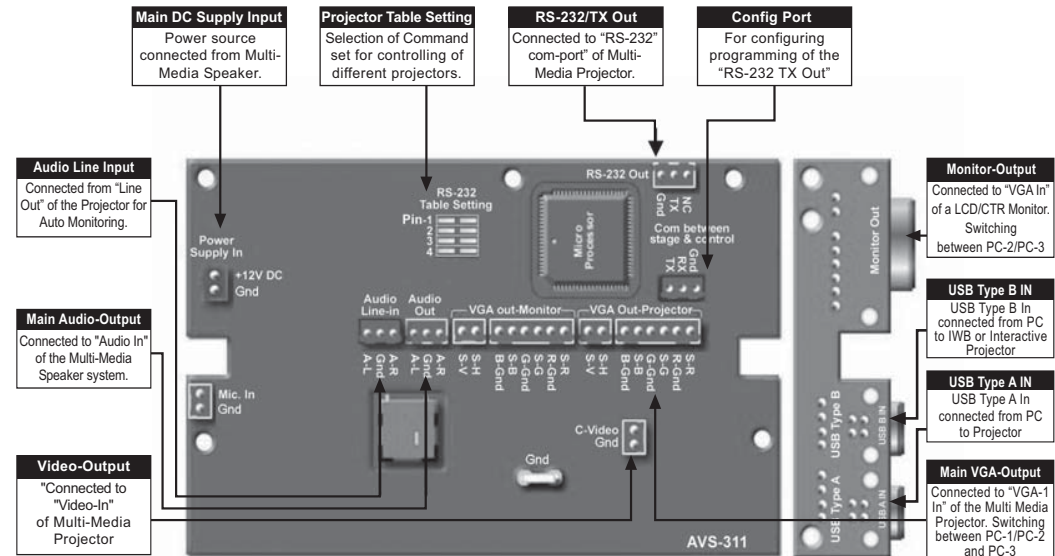
**14. PC-1 Input**  
VGA Input port with PC-Audio for Laptop connection

**15. Audio Video Input**  
Audio Video Input port for DVD or VRC connection

**16. Monitor Out**  
Connected to local LCD Monitor. Monitoring input PC2 & PC3 only

**17. USB IN**  
1 x USB Type A and 1 x USB Type B

## INTERNAL PCB LAYOUT AND INTER CONNECTION



## PROGRAMMING SOFTWARE

**Save File**  
Saving of a "project" Program done

**Read Device**  
Reading the "project" program loaded in the device

**Com Setup**  
Setup for Com port Between device and PC default: 9600, 8, N, 1

**Help**  
About Media Programmer AVS-311

**Load File**  
Loading a exceeding "project" program

**Write Device**  
Loading for a "project" program done to the device

**Program Button**  
Selection of button to be programmed

**Command Code**  
Projector Hex code Entry window

**Delay Time**  
Projector Power ON, OFF and Switching Respond time

**Projector Com Port**  
Setting up the Projector Com port parameter

**Projector Model**  
Window for input of Projector model number as reference

\*\* For detail and updated Command and program software, please visit and download from [www.abtussingapore.com](http://www.abtussingapore.com)